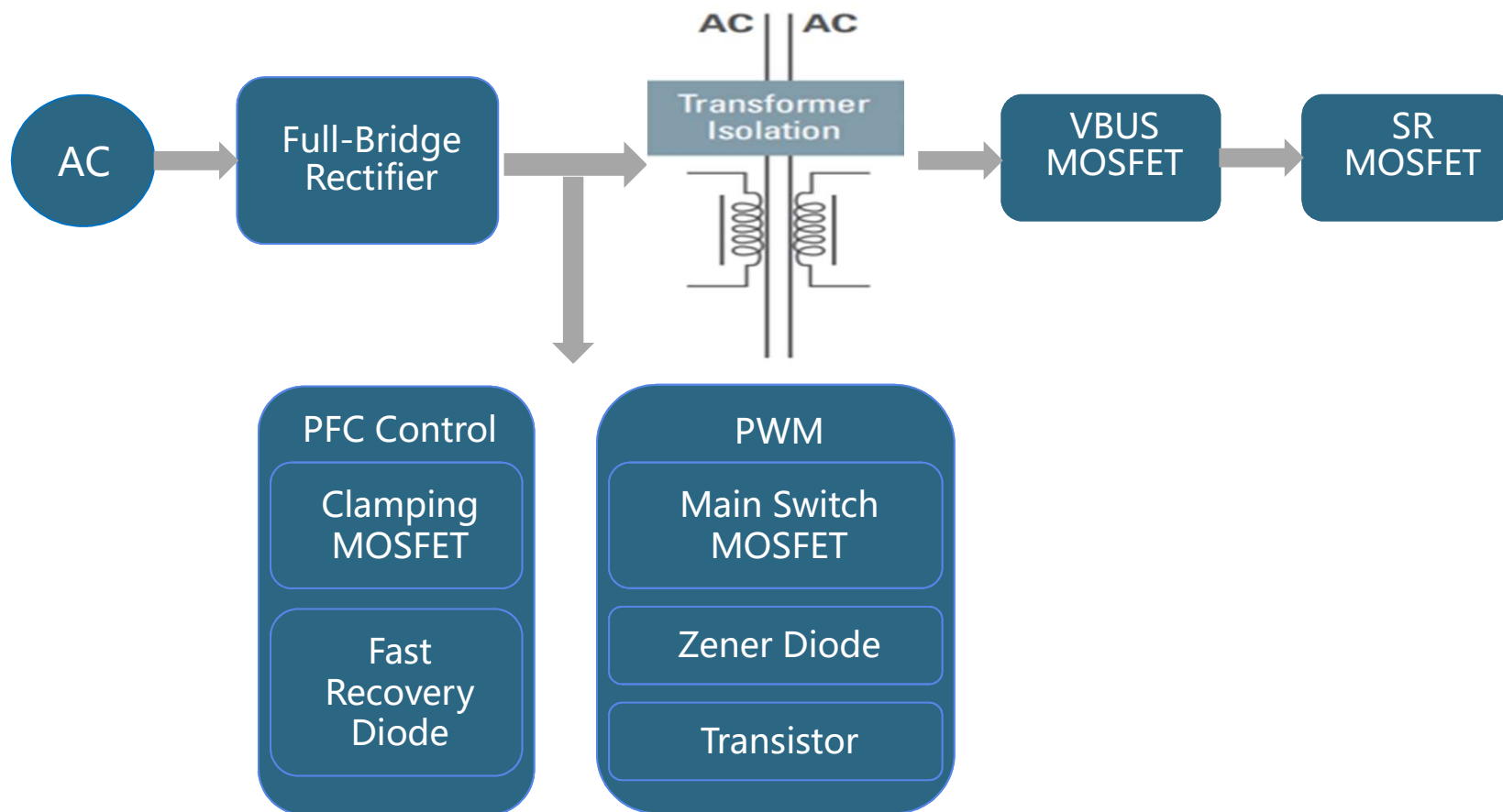


Fast Charge Adapter

USB PD Fast charge adapter typical circuit scheme



Device Applications

Bridge Diode

ABS210
STSB306
STSB307
GBU4K
GBU4M
GBL410

Fast Switch Diode

L1N4148WT1G
LBAS316T1G

Main Switch NMOSFET

LN12N65
LN7N65

SR MOSFET

LN7610DT1AG
LN7470DT1AG
LN7466DT1AG
LN7468DT1AG

Super Fast Diode

EFMA260
EFMAF260

Zener Diode

LBZT52MB9V1T1G
LBZT52MB12T1G
LBZT52C9V1T1G
LBZT52C12T1G

VBUS MOSFET

LP8314DT1AG
LP8337DT1AG

Fast Recovery Diode

FFM107
FFMAF107
HFM108

Transistor

LMBT3904LT1G